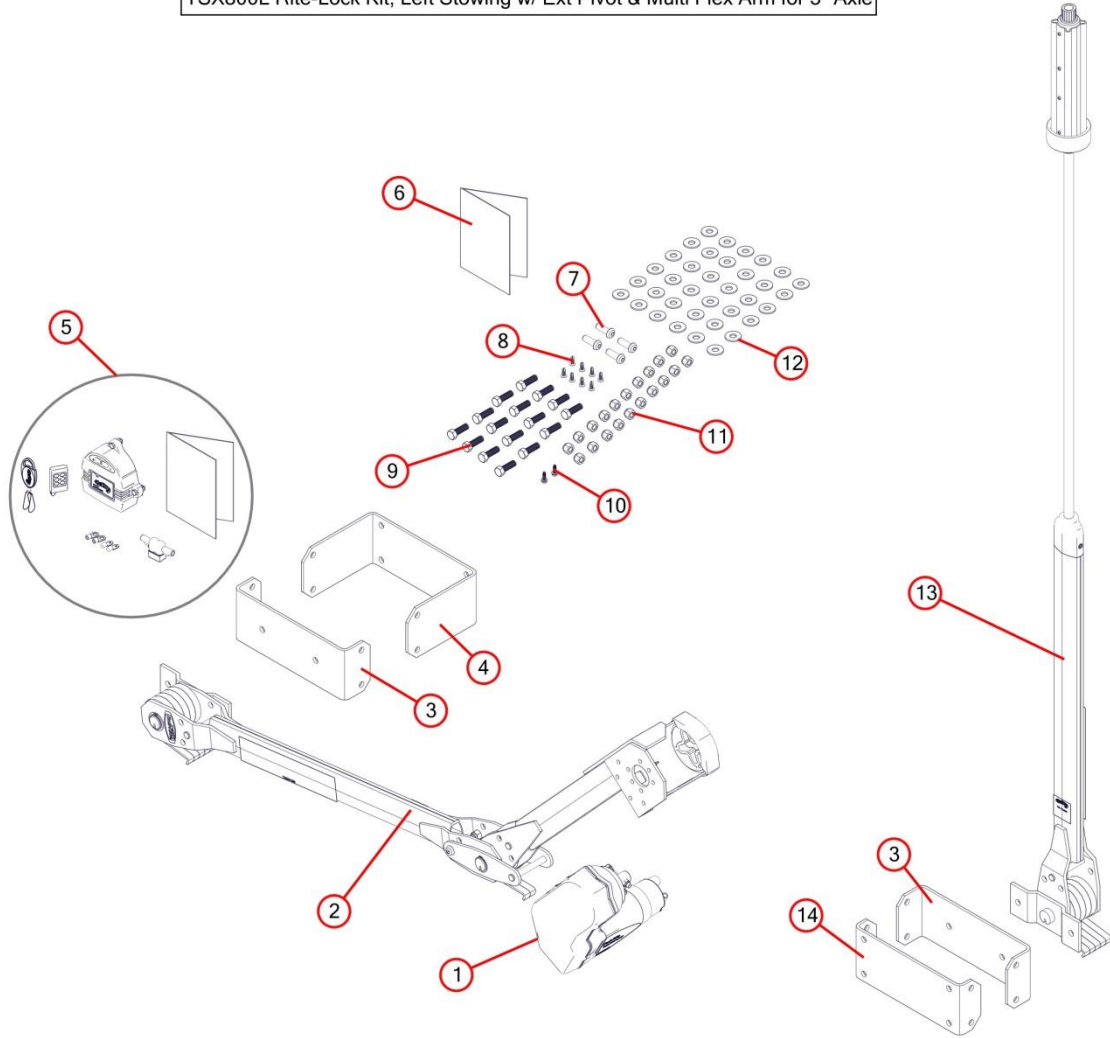
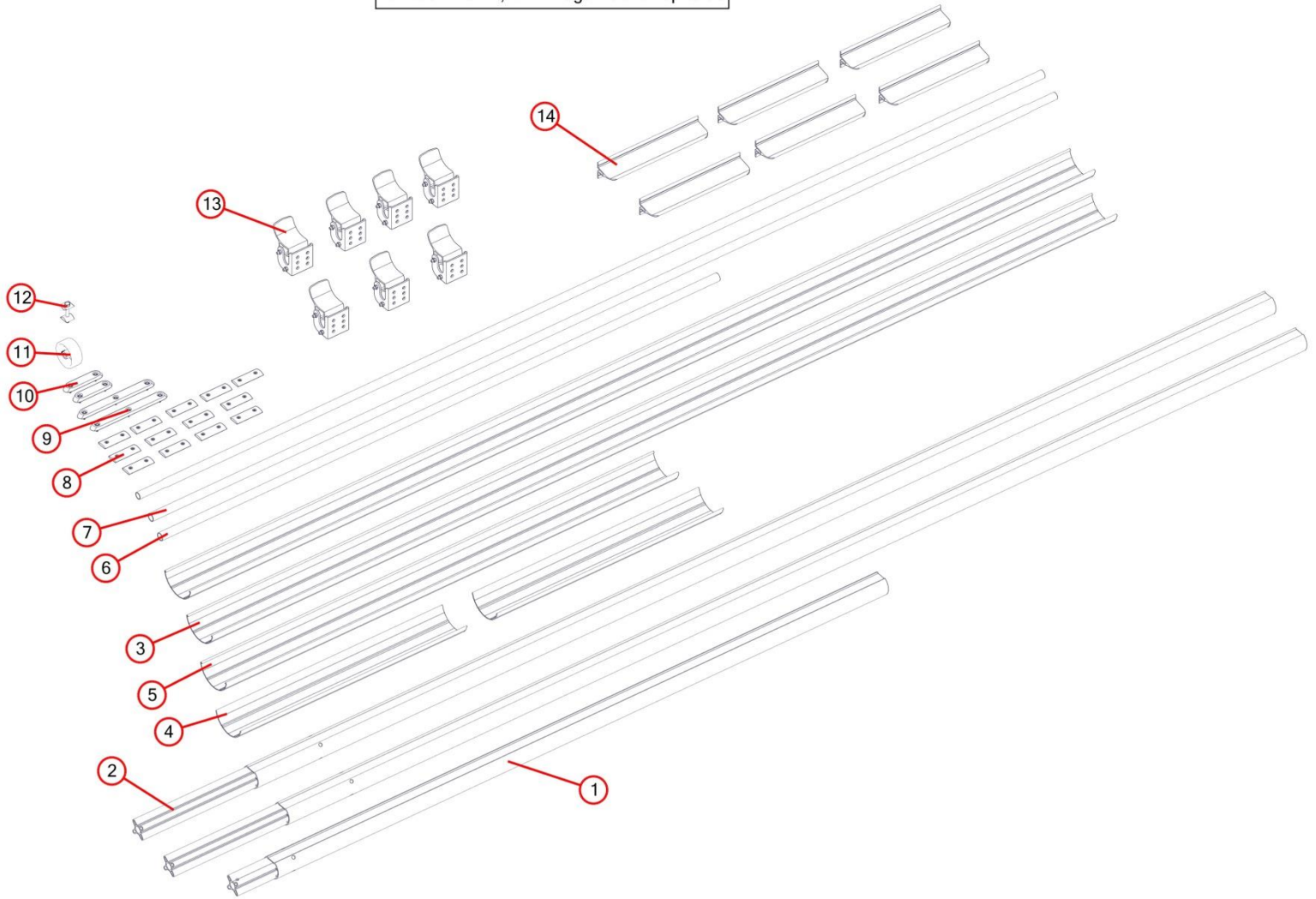


TSX800L Rite-Lock Kit, Left Stowing w/ Ext Pivot & Multi Flex Arm for 3" Axle

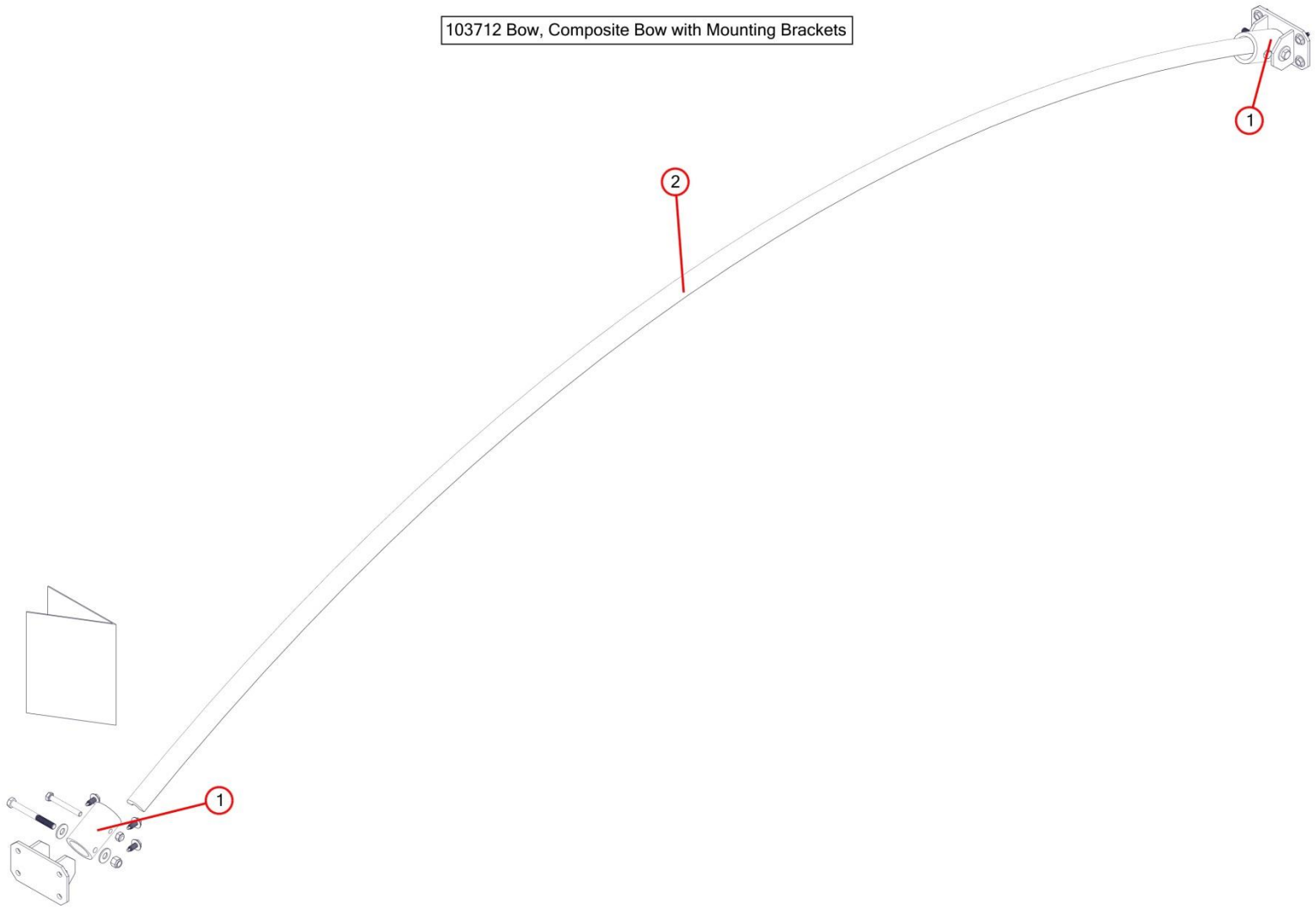


Bom ID	Part#	Description	qty
Ref	TSX800L	Rite-Lock Kit, Left Stowing w/ Ext Pivot & Multi Flex Arm for 3" Axle	1
1	10210	Gear Motor, Tarp Stretcher w/5 Year Warranty 24v- S/N: TS	1
2	101571L	Pivot, Assembled Front Arm for 38212 Rite-Lock Power Arm Kit	1
3	47278	Bracket, Outer Mounting Bracket for Multiflex	2
4	47279	Bracket, Inner Mounting Bracket for Ext Pivot on End dump	1
5	102615	Electric Kit, Rite Touch With 6 gauge with TSCM and RF 24 volt	1
6	101203	Instructions, Side to Side Conversion Kit	1
7	18295	Bolt, 1/2" x 1 1/2" Button Head Bolt	4
8	18140	Bolt, 1/4" x 3/4" Pan Phillips Head	8
9	18296	Bolt, 1/2" x 1 1/2" Hex Head Bolt	16
10	18100	Bolt, 1/4 - 20 x 3/4" Type F Self Tapping	2
11	18631	Nut, 1/2" Nylock Nut	20
12	18412	Washer, 1/2" Flat Zinc	36
13	46507	Pivot, Assembled 5-Spring 3" Axle Rear Flex Arm Kit	1
14	47277	Bracket, Inner Bracket for Multiflex	1

102560 Axle Kit, 3" w/Ridge Pole for up to 30'

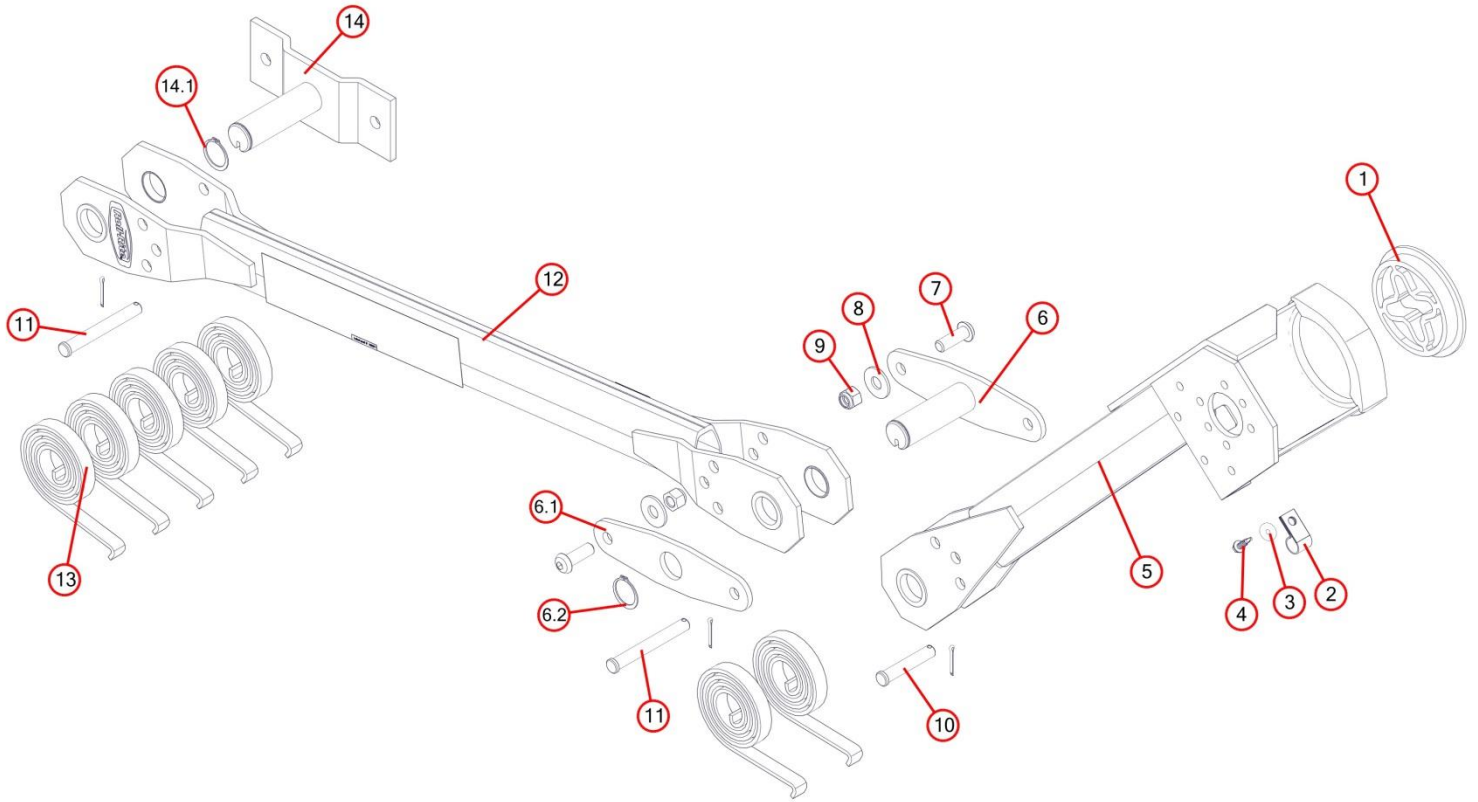


Bom ID	Part#	Description	qty
Ref	102560	Axle Kit, 3" w/Ridge Pole for up to 30' Trailers (B1-102555 & B2-102543)	1
1	102552	Axle, 3" Clip Mid Front section for 3' Axle 97.125"	1
2	102292	Axle, 3" Center Section Axle Kit (Full Length)	2
3	61227	Extrusion, 4" Ridge Pole (144")	2
4	102271	Extrusion, 4" Ridge Pole Splice -61225 cut to 36"	2
5	102553	Ridge Pole, 61227 Extrusion 4" Ridge Pole cut to 72"	1
6	102305	Rod, 101815 Steel Tarp Securing Rod cut to 88 3/4" No Swedge	1
7	101815	Steel Tubing, 1.125Dx16 ga x 12' Rnd Galv W/Swedge on end	2
8	37830	Clip, Tarp Clip w/ hardware for Side-to-Side Axle	13
9	37510	Guard, 12" Plastic Rub -Each-	2
10	37500	Guard, 6" Plastic Rub -Each-	2
11	102033	Bungee Cap, 3" Axle Cap with Screws	1
12	102038	Hardware, Shim Kit for 3" Side to Side Axle	1
13	36730	Bracket, Tarp Stop w/Bracket for Side-to-Side System	7
14	102554	Locking Lip, 61113 3" locking lip Cut to 15 7/8" Long	6



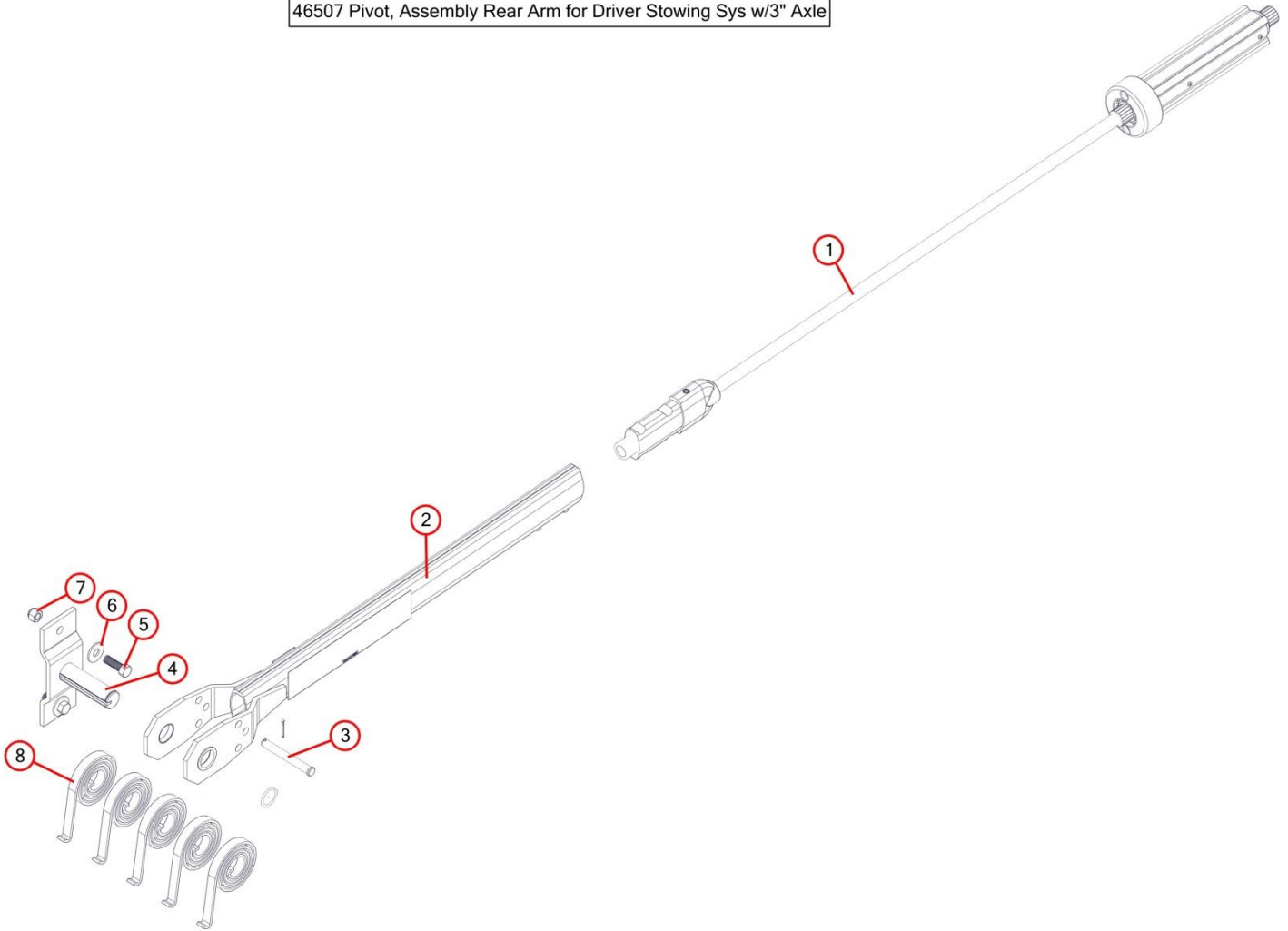
Bom ID	Part#	Description	qty
Ref	103712	Bow, Composite Bow with Mounting Brackets	1
1	103704	Bracket, Adjustable Socket Style Mount for Composite Bow	2
2	102924	Bow, Fiber Reinforced Flexible (U-Shape)	1

101571 Pivot, Assembled Front Arm for 38212 Rite-Lock Power Arm Kit



Bom ID	Part#	Description	qty
Ref	101571L	Pivot, Assembled Front Arm for 38212 Rite-Lock Power Arm Kit	1
1	37570	Bushing, Axle Stabilizer for Standard Axle	1
2	16340	Clamp, 3/4" Rubber Coated	1
3	18722	Washer, 3/16x3/4 Z Fend Wash Zinc	1
4	18110	Bolt, 1/4" x 1" Self Drilling Hex Washer Head	1
5	48890	Pivot Tube, Long upper pvt arm for TT SS-16"-	1
6	47960	Bracket, 3 Sp Knuckle pin w/ stop plate for SS pvt, mtr end	1
6.1	47962	Plate, Knuckle Pin Plate w/o Pin (Double Ended, Al)	1
6.2	47000	Snap Ring, 1 1/4" External for Pivot Pin	1
7	18295	Bolt, 1/2" x 1 1/2" Button Head Bolt	2
8	18412	Washer, 1/2" Flat Zinc	2
9	18631	Nut, 1/2" Nylock Nut	2
10	18510	Pin, 1/2" x 2-3/4" Clevis	1
11	18560	Pin, 1/2 x 4 1/8 Special Clevis	2
12	48440	Pivot Tube, Base Arm for External Pivot Retro fit Kit on Grain Trailers	5
13	47230	Spring, Spiral Torsion Spring 1 1/4	7
14	45350	Pivot Pin, 5-Spring	1
14.1	47000	Snap Ring, 1 1/4" External for Pivot Pin	1

46507 Pivot, Assembly Rear Arm for Driver Stowing Sys w/3" Axle



Bom ID	Part#	Description	qty
Ref	46507	Pivot, Left Assembled 5-Spring 3" Axle Rear Flex Arm Kit	1
1	46516	Pivot, Cable Assembly 3" Axle Rear Flex Arm	1
2	48450	Pivot Tube, Base Arm for Flexible Rear Arm	1
3	18560	Pin, 1/2 x 4 1/8 Special Clevis	1
4	45350	Pivot Pin, 5-Spring	1
5	18296	Bolt, 1/2" x 1 1/2" Hex Head Bolt	2
6	18412	Washer, 1/2" Flat Zinc	2
7	18631	Nut, 1/2" Nylock Nut	2
8	47230	Spring, Spiral Torsion Spring 1 1/4	5