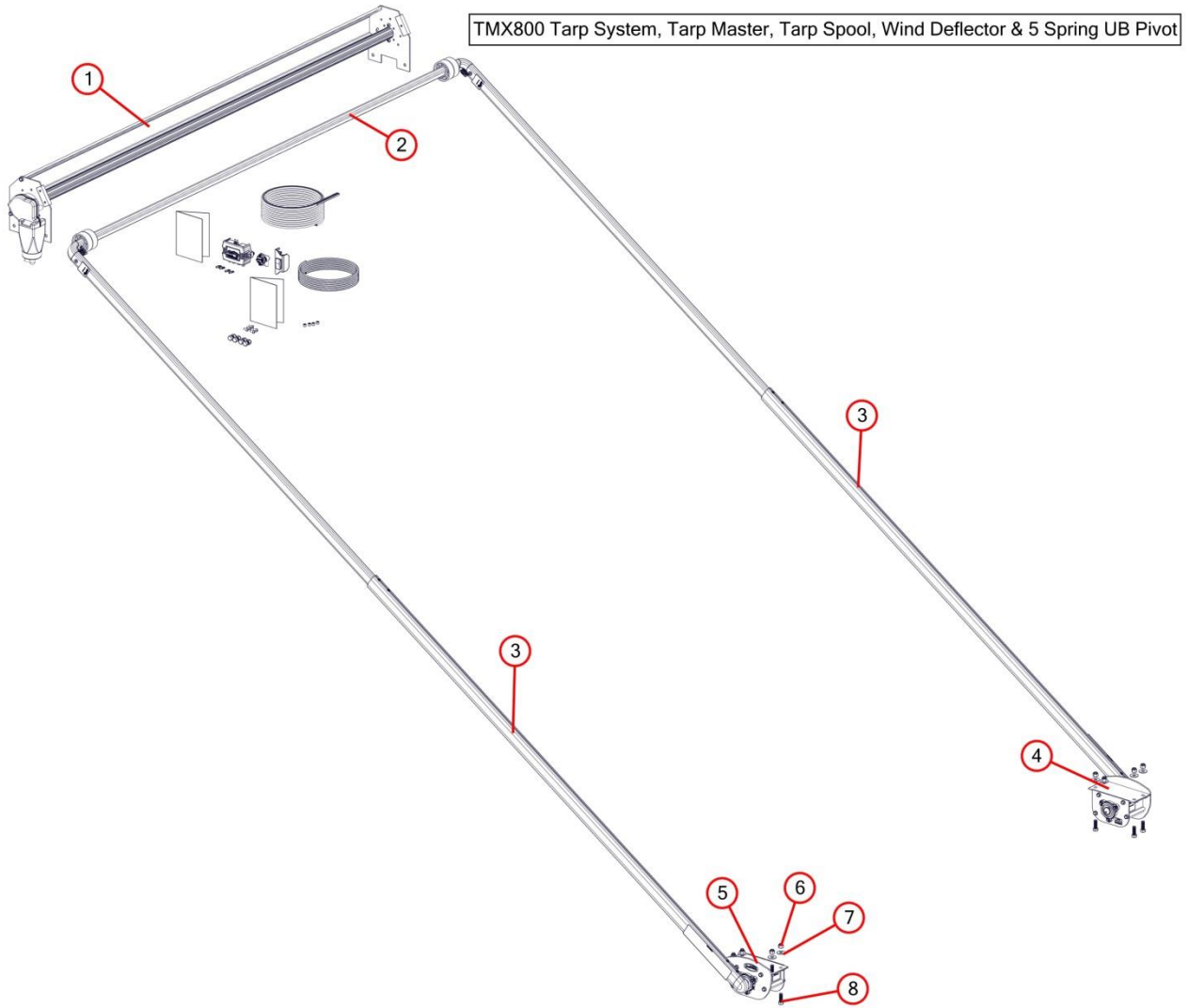
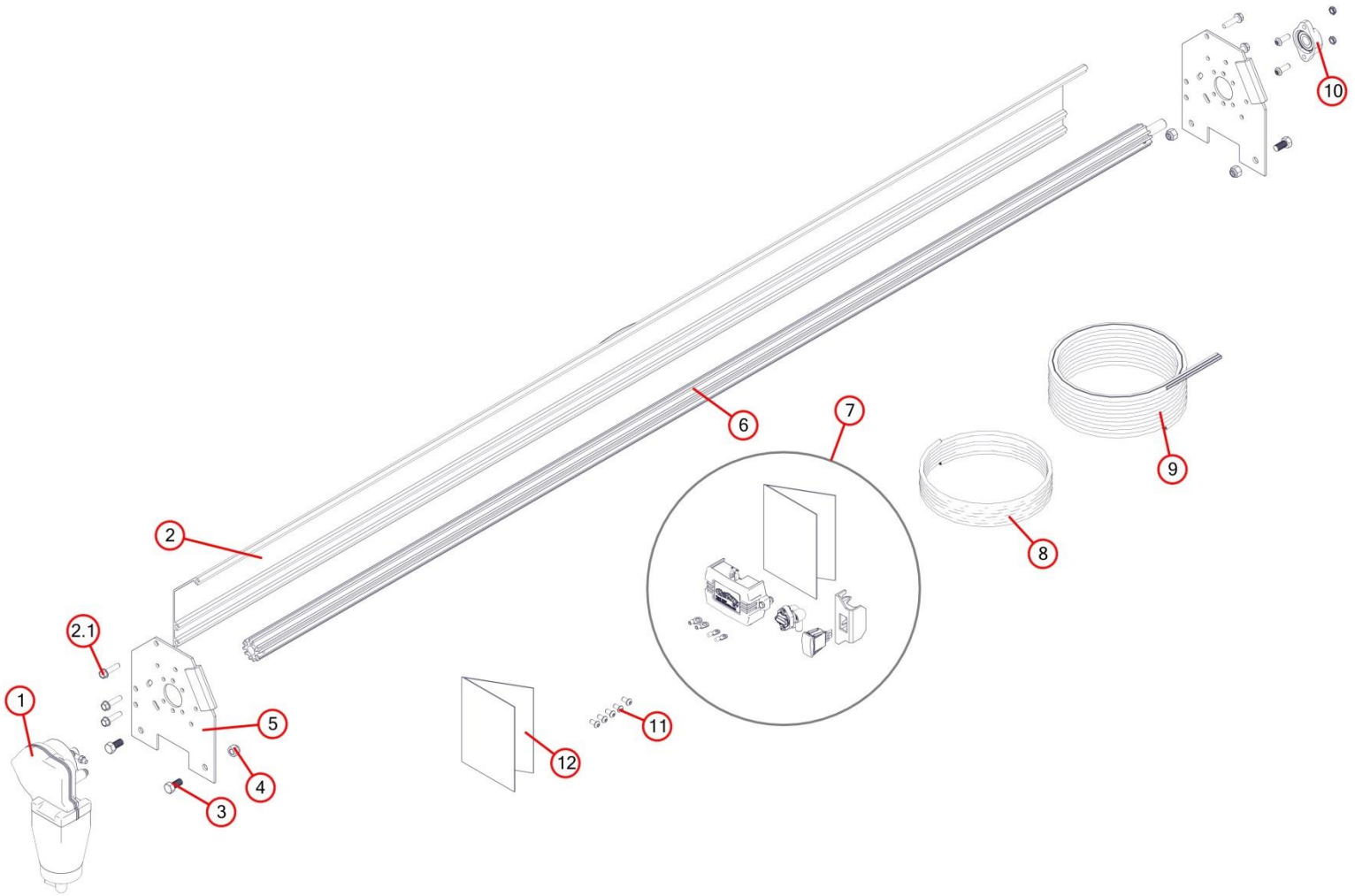


TMX800 Tarp System, Super Duty, Integrated Housing & 5 Spring UB Pivot

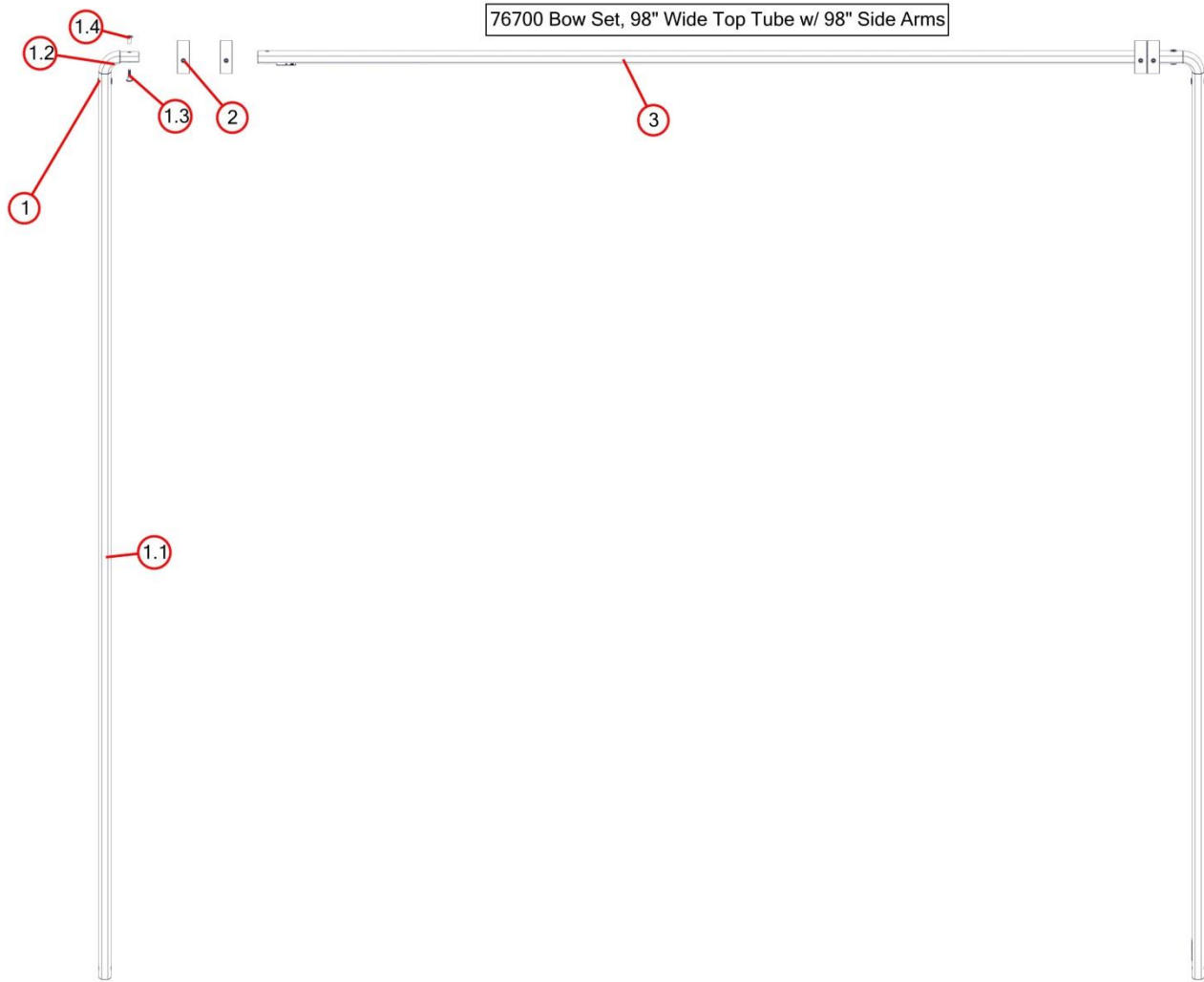


Bom ID	Part#	Description	qty
Ref	TMX800	Tarp System, Super Duty, Integrated Housing & 5 Spring UB Pivot	1
1	36460	Spool Kit, Tarp Master Tarp Spool w/97" Wind Deflector & Mounting Brackets - S/N: TM	1
2	76700	Bow Set, 98" Wide Top Tube w/ 98" Side Arms	1
3	46550	Pivot Set, 5 Spring Under-Body Mount (B1-46553/B2-46552)	1

36460 Spool Kit, TarpMaster Tarp Spool w/97" Wind Deflector & Mounting Brackets

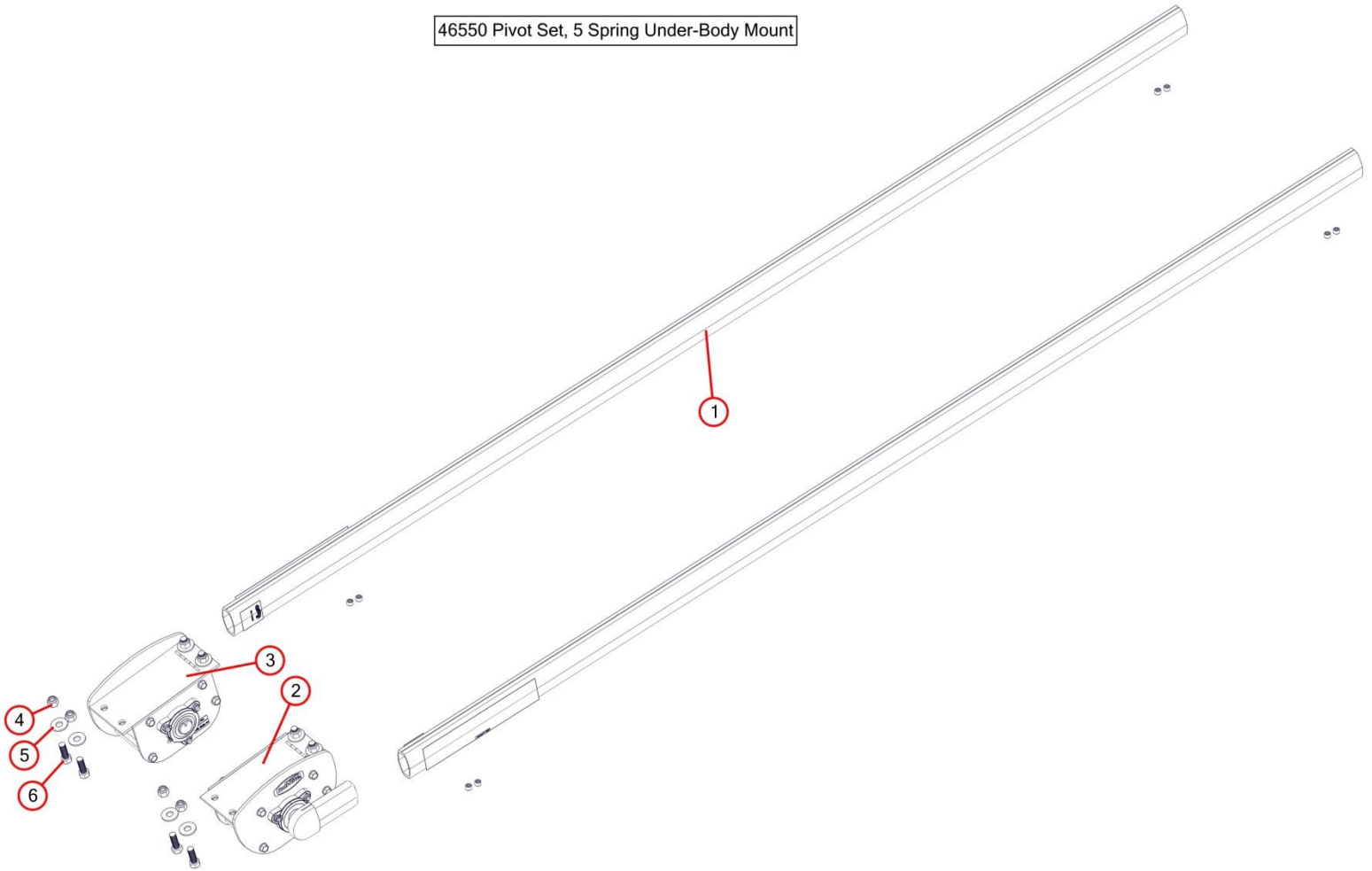


Bom ID	Part#	Description	qty
Ref	36460	Spool Kit, TarpMaster Tarp Spool w/97" Wind Deflector & Mounting Brackets - S/N: TM	1
1	10300	Gear Motor, TarpMaster w/3 Year gear Motor 24 V - S/N: TM	1
2	36360	Wind Deflector, 97" Tall	1
2.1	18120	Bolt, 3/8" x 1-1/2" Thread Cutting Screw Hex Washer Hd	6
3	18294	Bolt, 1/2" x 1" Hex Head Bolt	4
4	18631	Nut, 1/2" Nylock Nut	4
5	36340	Bracket, Aluminum Mounting Brackets - PAIR	2
6	31030	Axle, 97" Pre Threaded AL Tarp Axle w/Stub Shaft	1
7	100649	Electric Kit, With 10699 Relay and Rocker Switch for 8 ga wire w/35 amp breaker	1
8	11411	Wire, 16/3-Conductor -15ft	1
9	100743	Wire, 8 ga. Dual Conductor(55')	1
10	31050	Bearing, 3/4" Flanged Axle Bearing with bolts/nuts	1
11	18260	Bolt, 5/16" x 5/8" Button Head Bolt-Zinc Plated	5
12	101501	Instructions, Front to Back Installation	1



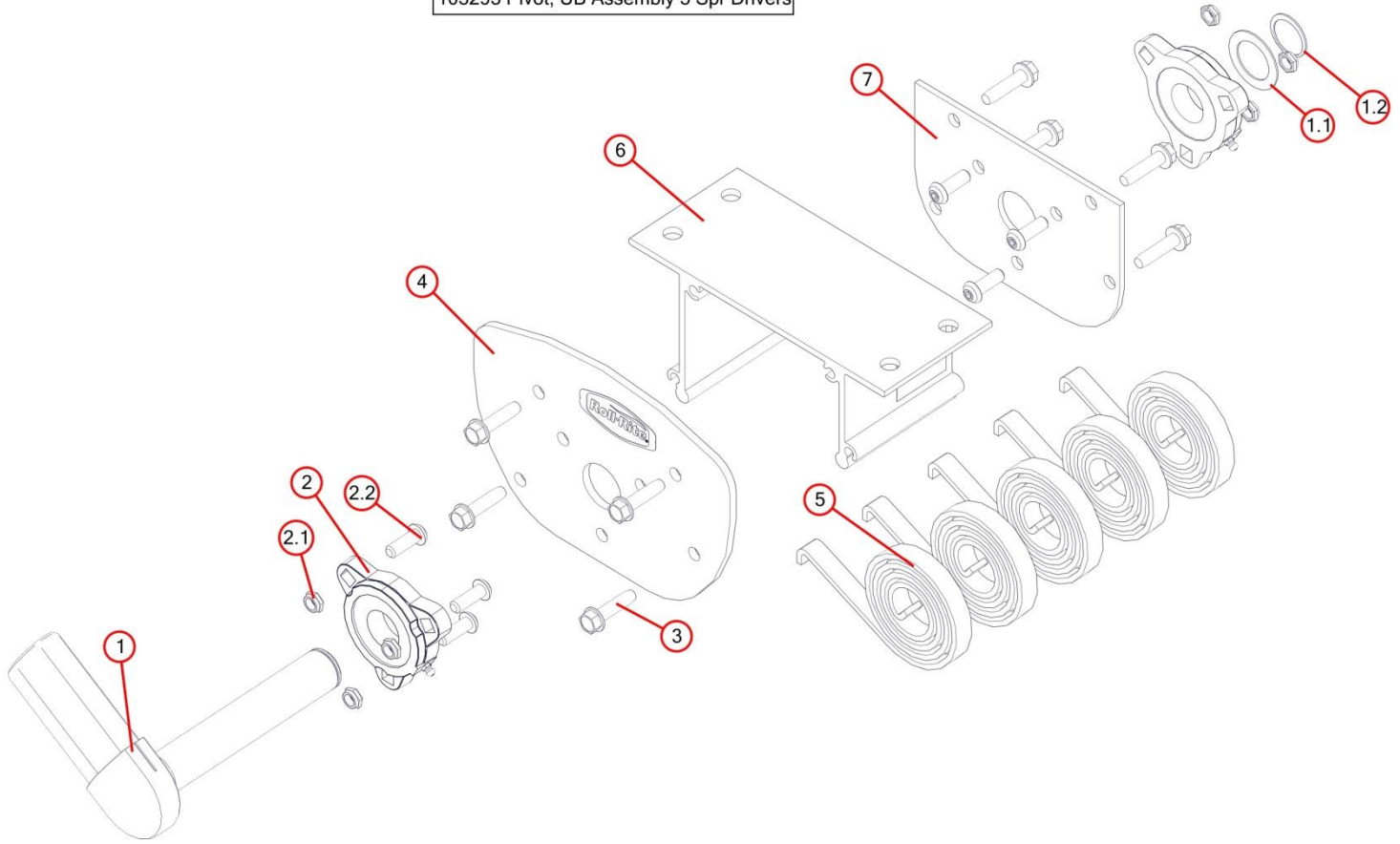
Bom ID	Part#	Description	qty
Ref	76700	Bow Set, 98" Wide Top Tube w/ 98" Side Arms	1
1	76760	Bow Tube, 98" Al Side Arm W. 90° Corner	2
1.1	76770	Bow Tube, AL Top Tube for Tarp Bow 98"	1
1.2	76800	Casting, Aluminum Corner - 90 Degree	1
1.3	18718	Bolt, 1/4-20 x 1 3/16 Golt Clear Zinc - Post bolt for 90 degree corners	2
1.4	18719	Nut, 1/4-20 Cap Conn Nut Clear Zinc - Post bolt for 90 degree corners	2
2	76810	Flange, Tarp Flange -pair-	2

46550 Pivot Set, 5 Spring Under-Body Mount



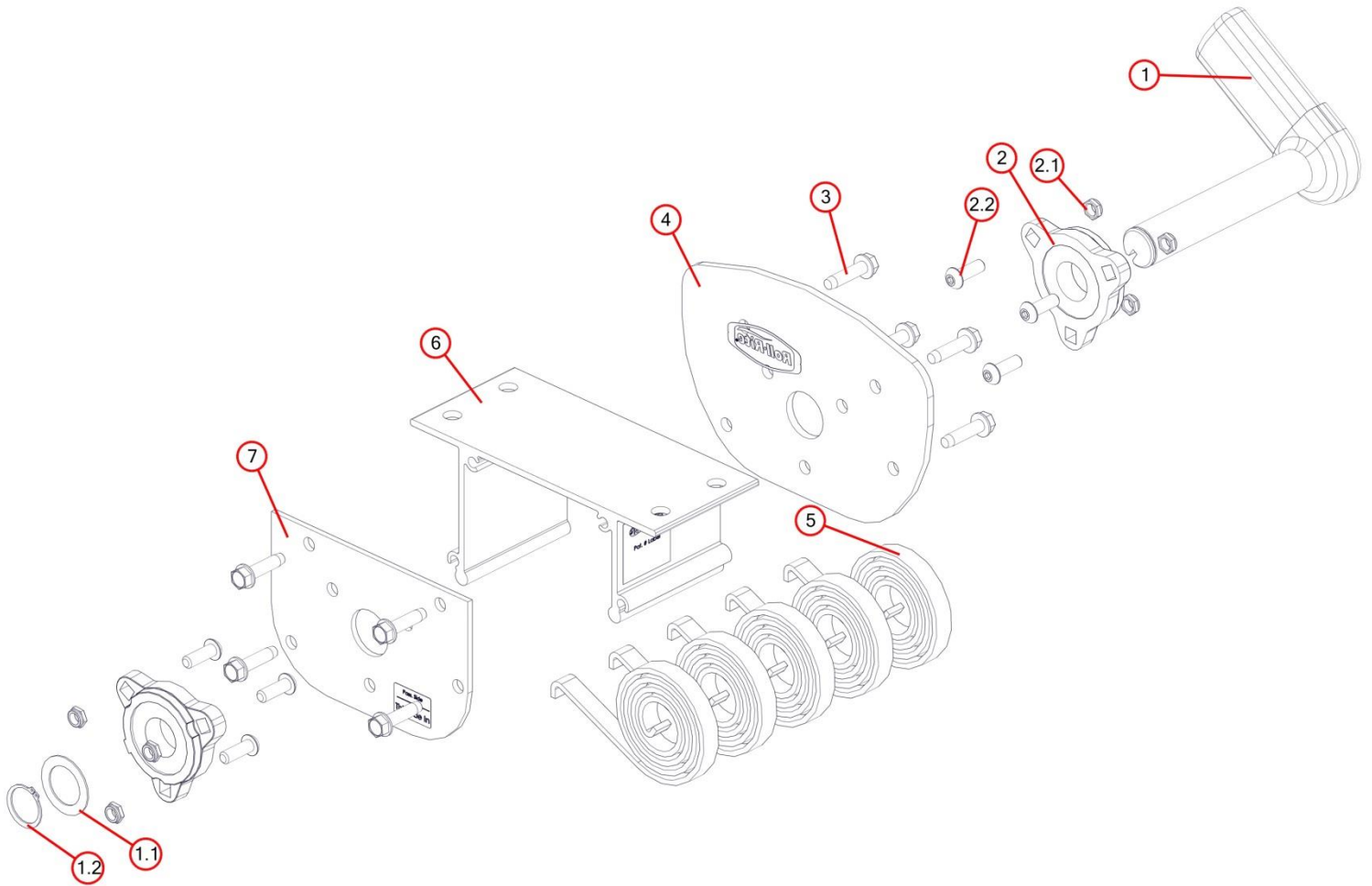
Bom ID	Part#	Description	qty
Ref	46550	Pivot Set, 5 Spring Under-Body Mount (B1-46553/B2-46552)	1
1	46250	Pivot Tube, AL 5UB/SR spring tube only with set screws -96"	2
2	103293	Pivot, UB Assembly 5 Spr Drivers	1
3	103294	Pivot, UB Assembly 5 Spr Passenger	1
4	18631	Nut, 1/2" Nylock Nut	8
5	18412	Washer, 1/2" Flat Zinc	16
6	18296	Bolt, 1/2" x 1 1/2" Hex Head Bolt	8

103293 Pivot, UB Assembly 5 Spr Drivers



Bom ID	Part#	Description	qty
Ref	103293	Pivot, UB Assembly 5 Spr Drivers	1
1	46360	Pivot Pin, for 5 & 6-Spring Roller Bearing - DRV	1
1.1	47010	Bushing, Pivot 1 1/4 Machinery Bushing for Pivot Pin	1
1.2	47000	Snap Ring, 1 1/4" External for Pivot Pin	1
2	47800	Bearing, Carrier Underbody Flanged	2
2.1	18628	Nut, Nylock nut 3/8" Jamb Nut	4
2.2	18242	Bolt, 3/8"-16 x 1 1/8" Button Head	4
3	18120	Bolt, 3/8" x 1-1/2" Thread Cutting Screw Hex Washer Hd	8
4	102349	Plate, Al Front for Ext Bolt Flange Mount UB Box	1
5	47230	Spring, Spiral Torsion Spring 1 1/4	5
6	102509	Bracket, Ext Body with holes for 6 Spr UB Box	1
7	102259	Plate, Al Back for Ext Bolt Flange Mount UB Box	1

103294 Pivot, UB Assembly 5 Spr Passenger



Bom ID	Part#	Description	qty
Ref	103294	Pivot, UB Assembly 5 Spr Passenger	1
1	46370	Pivot Pin, for 5 & 6-Spring Roller Bearing - pass	1
1.1	47010	Bushing, Pivot 1 1/4 Machinery Bushing for Pivot Pin	1
1.2	47000	Snap Ring, 1 1/4" External for Pivot Pin	1
2	47800	Bearing, Carrier Underbody Flanged	2
2.1	18628	Nut, Nylock nut 3/8" Jamb Nut	4
2.2	18242	Bolt, 3/8"-16 x 1 1/8" Button Head	4
3	18120	Bolt, 3/8" x 1-1/2" Thread Cutting Screw Hex Washer Hd	8
4	102349	Plate, Al Front for Ext Bolt Flange Mount UB Box	1
5	47230	Spring, Spiral Torsion Spring 1 1/4	5
6	102509	Bracket, Ext Body with holes for 6 Spr UB Box	1
7	102259	Plate, Al Back for Ext Bolt Flange Mount UB Box	1