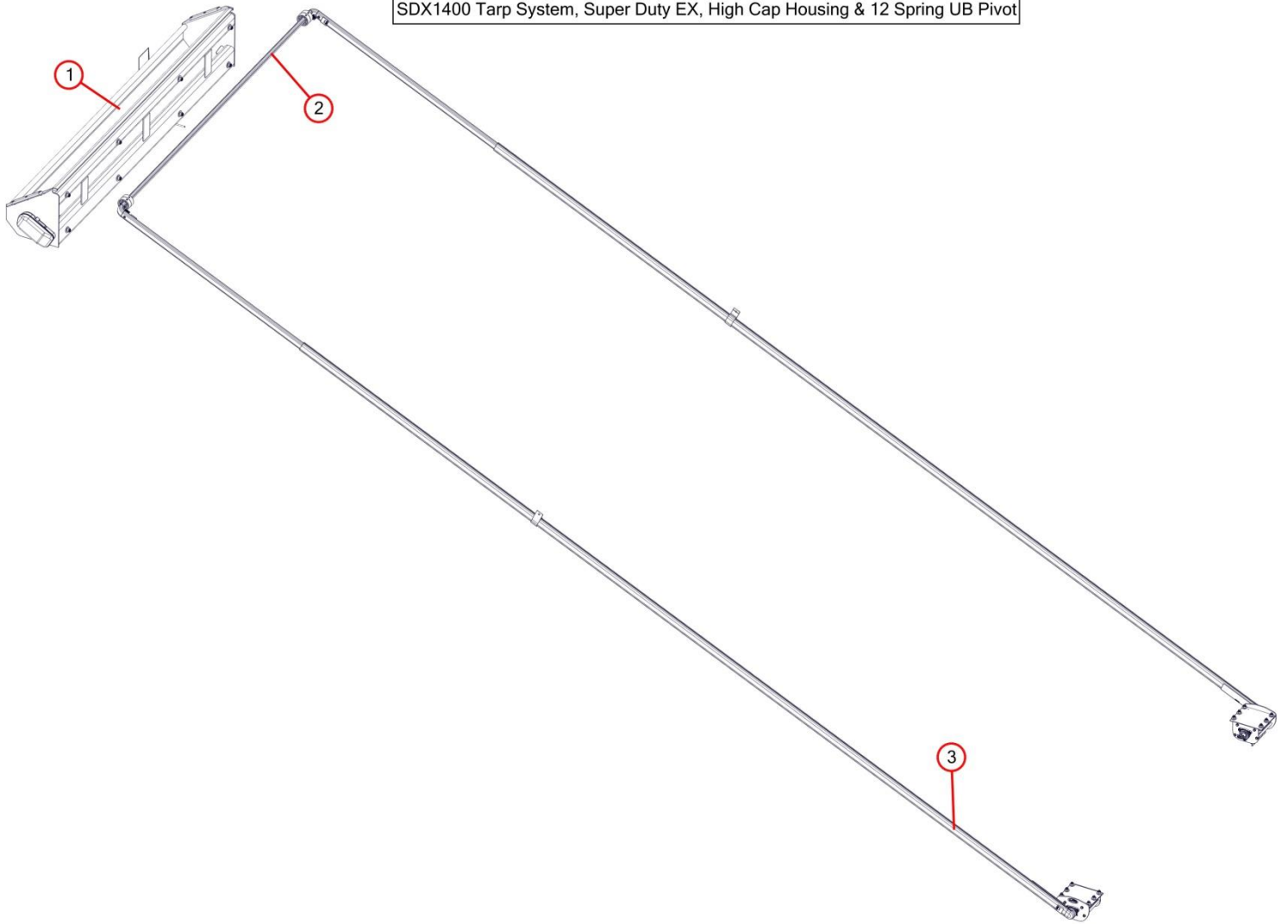
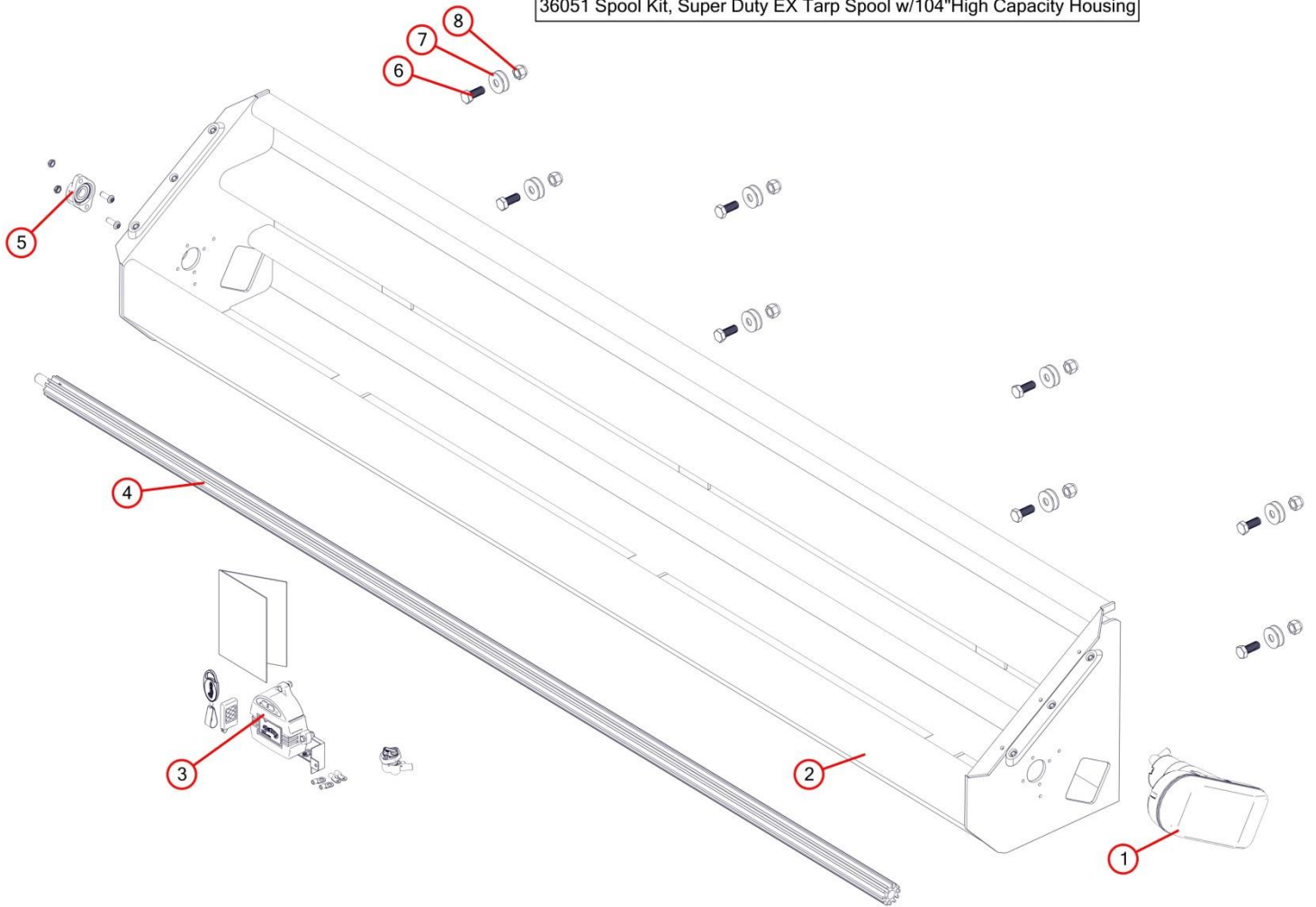


SDX1400 Tarp System, Super Duty EX, High Cap Housing & 12 Spring UB Pivot



Bom ID	Part#	Description	qty
Ref	SDX1400	Tarp System, Super Duty EX, High Cap Housing & 12 Spring UB Pivot	1
1	36051	Spool Kit, Super Duty EX Tarp Spool w/104"High Capacity Housing - (No 6ga Wire) S/N: SDX	1
2	76660	Bow Set, Wide 110" Rear Bar & 2 each 98" Bow Arms	1
3	47605	Pivot Set, 12 Spring Under-Body Mount w/ 22 ft Pivot Tubes (B1-102599&B2-102115)	1

36051 Spool Kit, Super Duty EX Tarp Spool w/104"High Capacity Housing



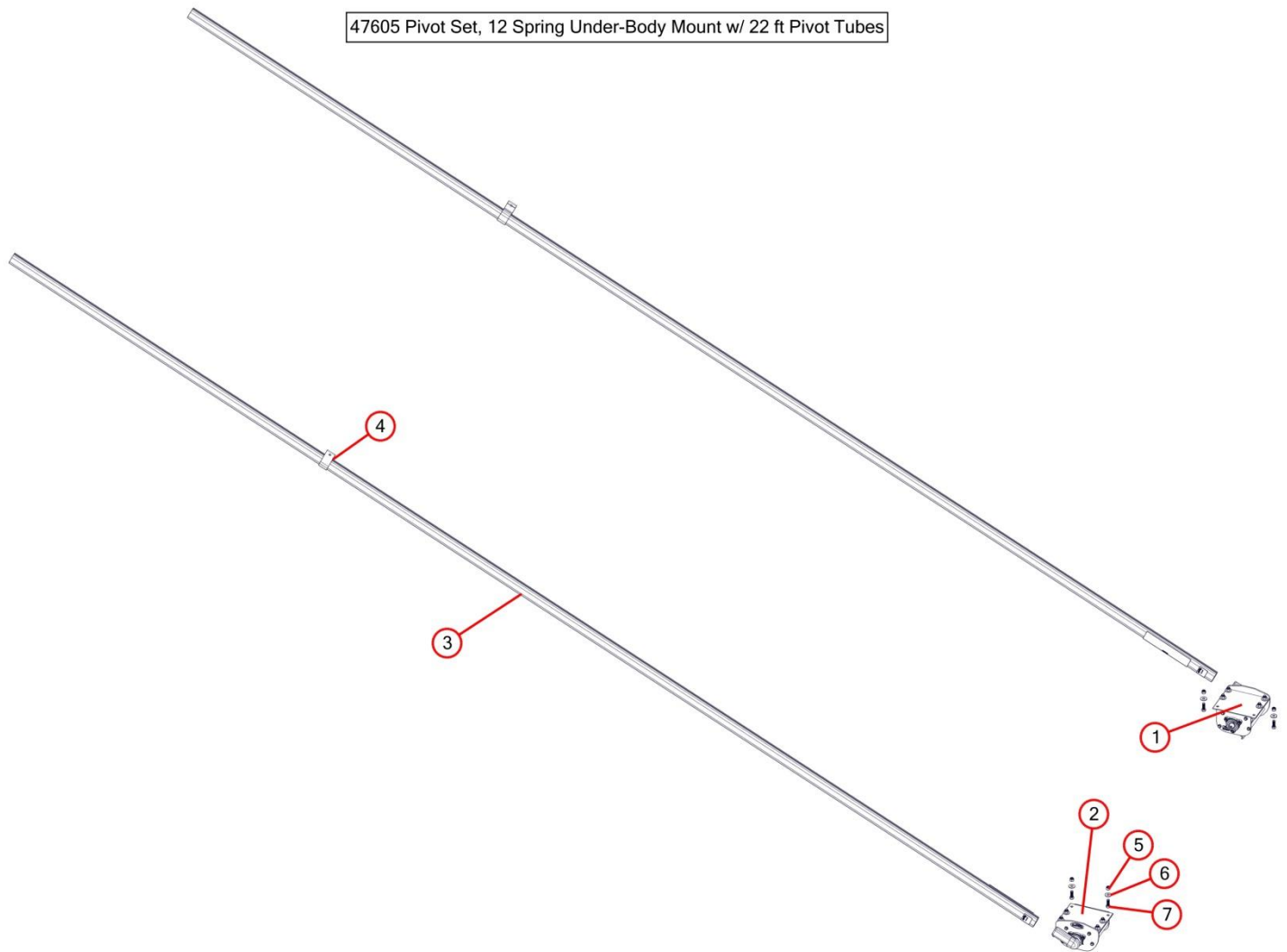
Bom ID	Part#	Description	qty
Ref	36051	Spool Kit, Super Duty EX Tarp Spool w/104"High Capacity Housing - (No 6ga Wire) S/N: SDX	1
1	10151	Gear Motor, Super Duty w/5 Year Warranty 24V - SN: SD	1
2	36172	Housing, 104" High Capacity Tarp Spool Housing	1
3	102615	Electric Kit, Rite Touch With 6 gauge with TSCM and RF 24 volt	1
4	31040	Axle, 103" Pre Thrd AL Tarp Axle w/Stub Shaft	1
5	31050	Bearing, 3/4" Flanged Axle Bearing with bolts/nuts	1
6	18710	Bolt, 5/8" x 1 1/2" Bolt Zinc	8
7	18414	Washer, 5/8" Flat Zinc	16
8	18635	Nut, 5/8" Nylock Nut	8

SDX1400 Tarp System, Super Duty EX, High Cap Housing & 12 Spring UB Pivot

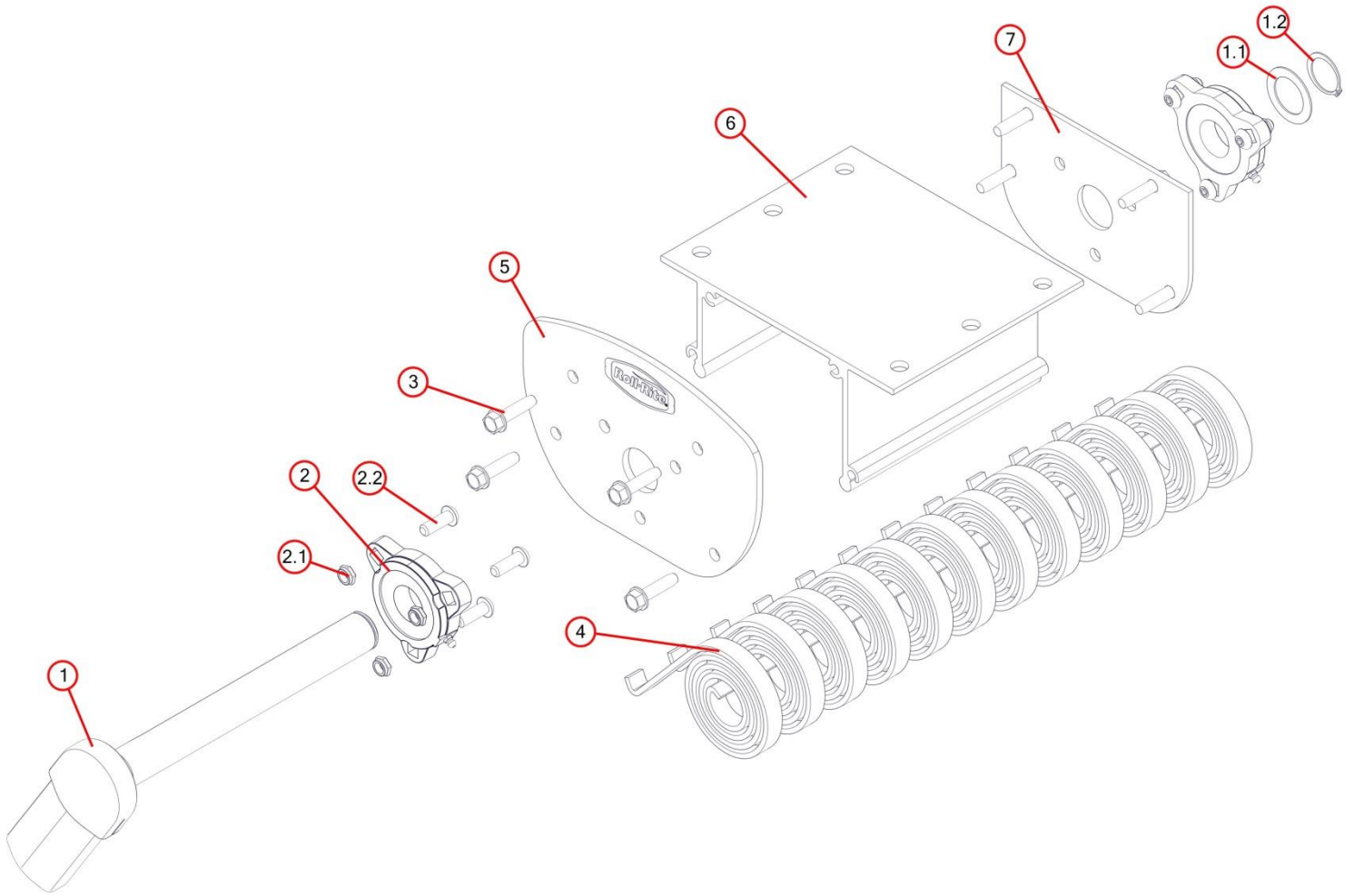


Bom ID	Part#	Description	qty
Ref	76660	Bow Set, Wide 110" Rear Bar & 2 each 98" Bow Arms - Roll-Offs	1
1	76760	Bow Tube, 98" Al Side Arm W. 90° Corner	2
2	76810	Flange, Tarp Flange -pair-	2
3	76860	Bow Tube, Top Tube for Roll-Off Tarp Bow 110" -Each-	1

47605 Pivot Set, 12 Spring Under-Body Mount w/ 22 ft Pivot Tubes

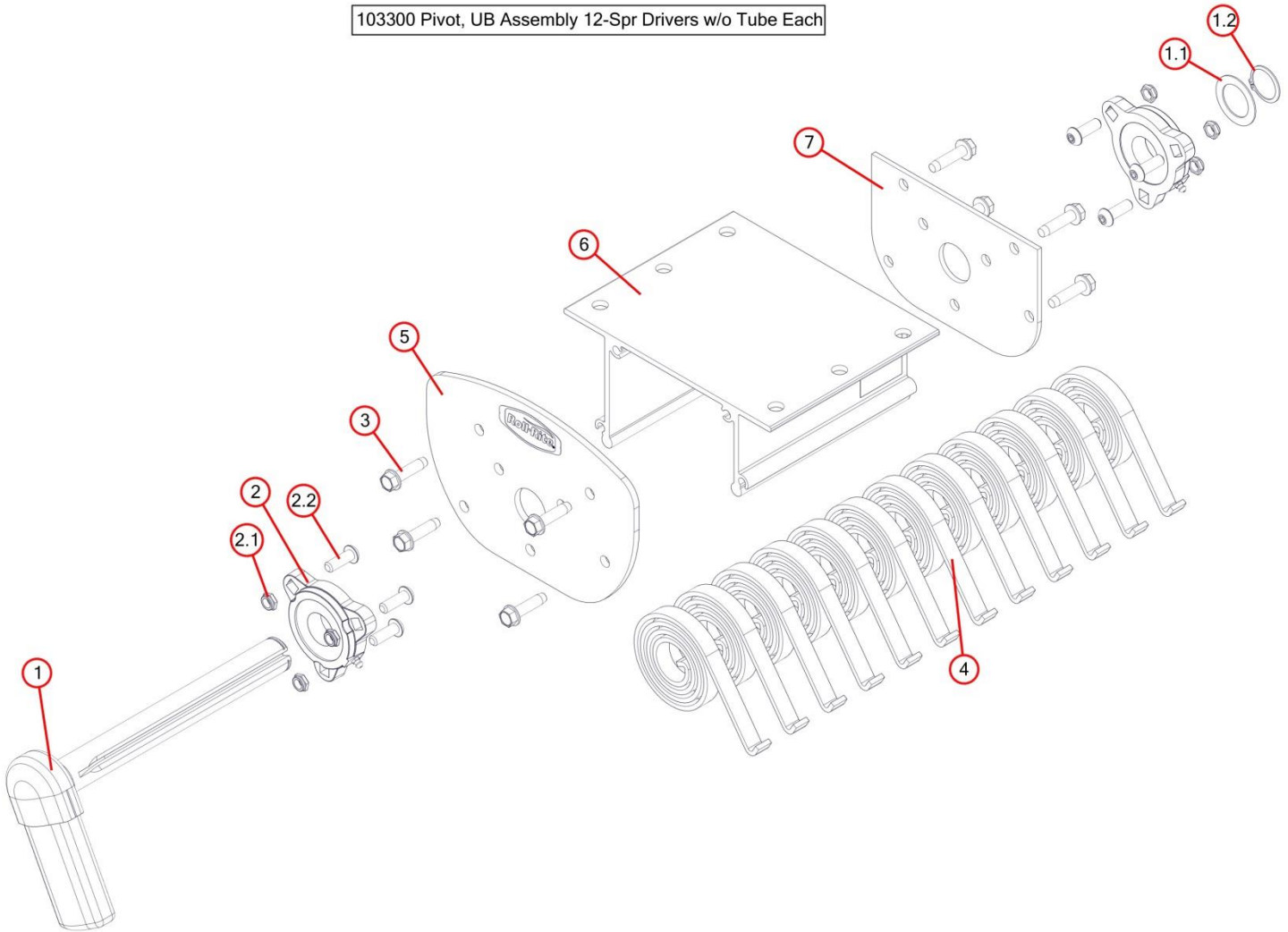


Bom ID	Part#	Description	qty
Ref	47605	Pivot Set, 12 Spring Under-Body Mount w/ 22 ft Pivot Tubes (B1-102599&B2-102115)	1
1	103299	Pivot, UB Assembly 12-Spr Passenger w/o tube Each	1
2	103300	Pivot, UB Assembly 12-Spr Driver w/o tube Each	1
3	46262	Pivot Tube, 22ft w/ Set Screws	2
4	76831	Bracket, Pivot Arm Tie Down	2
5	18631	Nut, 1/2" Nylock Nut	12
6	18412	Washer, 1/2" Flat Zinc	24
7	18296	Bolt, 1/2" x 1 1/2" Hex Head Bolt	12



Bom ID	Part#	Description	QTY
Ref	103299	Pivot, UB Assembly 12-Spr Passenger w/o tube Each	1
1	46403	Pivot Pin, for 12-Spring Roller Bearing Pivot-Pass	1
1.1	47010	Bushing, Pivot 1 1/4 Machinery Bushing for Pivot Pin	1
1.2	47000	Snap Ring, 1 1/4" External for Pivot Pin	1
2	47800	Bearing, Carrier Underbody Flanged	2
2.1	18628	Nut, Nylock nut 3/8" Jamb Nut	3
2.2	18242	Bolt, 3/8"-16 x 1 1/8" Button Head	3
3	18120	Bolt, 3/8" x 1-1/2" Thread Cutting Screw Hex Washer Hd	8
4	47230	Spring, Spiral Torsion Spring 1 1/4	12
5	102349	Plate, Al Front for Ext Bolt Flange Mount UB Box	1
6	102580	Bracket, Ext Body with holes for 12 Spr UB Box	1
7	102259	Plate, Al Back for Ext Bolt Flange Mount UB Box	1

103300 Pivot, UB Assembly 12-Spr Drivers w/o Tube Each



Bom ID	Part#	Description	QTY
Ref	103300	Pivot, UB Assembly 12-Spr Drivers w/o Tube Each	1
1	46402	Pivot Pin, for 12-Spring Roller Bearing Pivot-DRV	1
1.1	47010	Bushing, Pivot 1 1/4 Machinery Bushing for Pivot Pin	1
1.2	47000	Snap Ring, 1 1/4" External for Pivot Pin	1
2	47800	Bearing, Carrier Underbody Flanged	2
2.1	18628	Nut, Nylock nut 3/8" Jamb Nut	3
2.2	18242	Bolt, 3/8"-16 x 1 1/8" Button Head	3
3	18120	Bolt, 3/8" x 1-1/2" Thread Cutting Screw Hex Washer Hd	8
4	47230	Spring, Spiral Torsion Spring 1 1/4	12
5	102349	Plate, Al Front for Ext Bolt Flange Mount UB Box	1
6	102580	Bracket, Ext Body with holes for 12 Spr UB Box	1
7	102259	Plate, Al Back for Ext Bolt Flange Mount UB Box	1