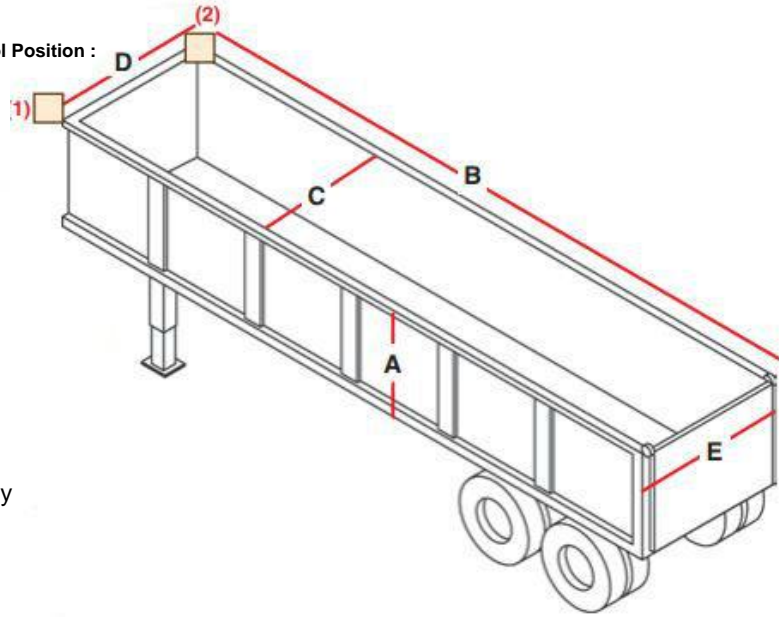


Easy Spec & Order Sheet

Please use cm for unit measurement.

Spool Position: Check One Box To Show Mounted Spool Position :

(1) Forward of Trailer –Or– (2) Top of Trailer



Box:

- _____ (A) Height
- _____ (B) Length
- _____ (C) Width (inside)
- _____ (D) Front Mounting Width
**If Mounting Width Varies Considerably from (C) Please Contact Us
- _____ (E) Outside Width of Widest Point
–If Tailgate is Over 254 cm

Tarp Size:

_____ Width (Generally Should Be Slightly Less Than (C) Box Width)

(Required)

_____ Length = _____ + 60.96 cm

(B)

Pivot Spings:

Determining Spring Capacity:

Above tarp length calculation and your tarp material determines the number of springs your system requires

General Aggregate (Mesh) Tarp Applications												
6.7m	7.3m	7.9m	8.5m	9.1m	9.6m	10.4m	10.9m	11.6m	12.2m	12.8m	13.4m	14m
5-Spring		1.5m Knuckle Pivot		6-Spring				2.1m Knuckle Pivot		8-Spring		

Asphalt (Solid) Tarp Applications				
6.7m	7.3m	7.9m	8.5m	9.1m
5-Spring		6-Spring		

If you occasionally haul asphalt and plan to change your tarp, we highly recommend using the chart for asphalt tarps.

Super Duty 500 Series Tarp Systems:

System:

_____ **A. Roll-Rite, Super Duty Tarp System**

Part #

_____ **B. Roll-Rite Tarp Selection** (specify by part number)

Part #

To ensure accuracy, order for custom tarps (flapped, etc.) must be accompanied by an approved drawing.

OR Select by Component:

_____ **1. Select a Tarp Spool**

Part #

_____ **2. Select a Pivot Set**

Part #

_____ **3. Select a Bow Set**

Part #

_____ **4. Roll-Rite Tarp Selection** (specify by part number)

Part #

To ensure accuracy, order for custom tarps (flapped, etc.) must be accompanied by an approved drawing.

Accessories: Please check or specify quantity of sets to order

_____ 76660 Bow Centring Wedges

_____ 46950 Bow Stop Brackets

_____ 12760 SureFlex Plug Set

_____ 10620 Contact Plates

_____ 101729 and 101259 Amp Sensing Relay and 50-amp Breaker for One-Touch